

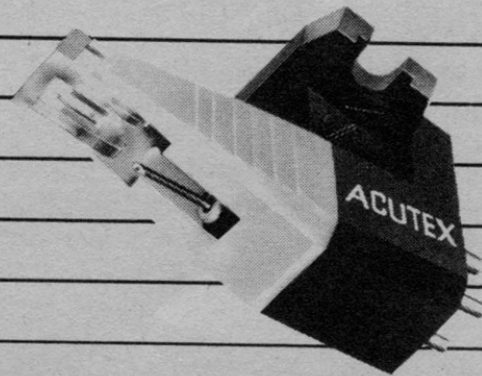
INSTRUCTION MANUAL - ACUTEX LPM SERIES CARTRIDGE

M410E

M412STR

M415STR

M420STR



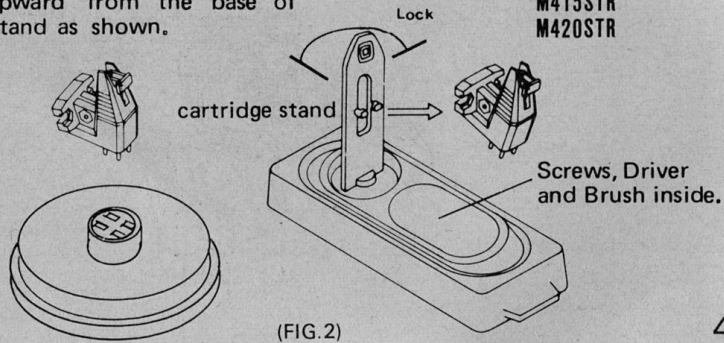
ACUTEX
International

Handling

Unpacking the cartridge

The cartridge can be removed by pulling upward from the base of cartridge stand as shown.

M410E
M412STR



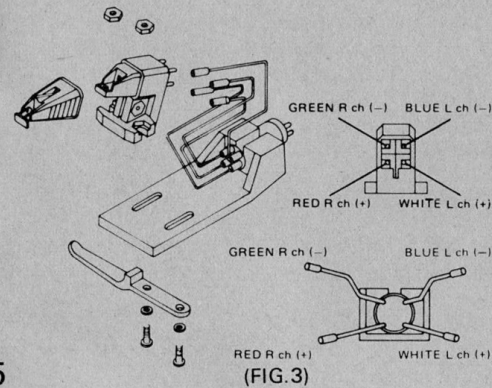
(FIG.2)

4 5

Mounting the cartridge on the head shell

With the stylus ass'y left disconnected, mount the cartridge on the head shell with screws, nuts and washer by means of the screw-driver as shown in Fig. 3.

Generally, the nuts should be placed in the recesses in the bottom of the cartridge mounting bracket and the screws from the top of the head shell. Also, connect lead wires according to each color. Finally, insert the stylus ass'y in the cartridge.

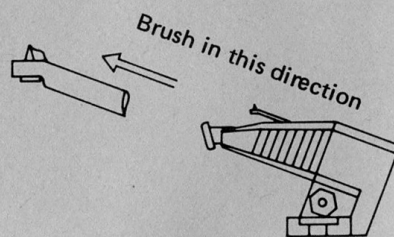


(FIG.3)

Handling Instructions (Cautions)

- 1) The stylus tip of the cartridge must be kept free from dust. Otherwise, distortion of the sound, or a change in tonal quality, may occur. Before playing, clean the stylus tip lightly with the brush, brushing from the base of the stylus cantilever toward the stylus tip. (See Fig. 4)
- 2) It is a good idea to clean the surface of your records with a good quality record cleaner. This will prolong the life of both the stylus and records.
- 3) Be careful not to touch the stylus with your fingers, or drop it suddenly on the record or platter surface.

- 4) Track the cartridge at the proper stylus force. Tracking too lightly may cause the stylus to jump around and damage itself or your records.



(FIG. 4)

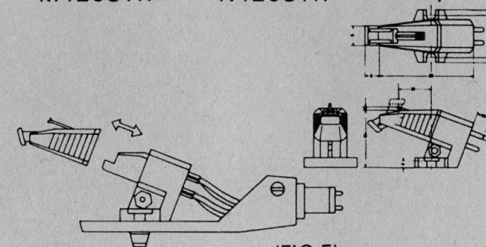
6

7

Stylus replacement

To replace the stylus, pull the stylus grip forward as shown. When mounting the new stylus be sure to press down firmly to assure a proper fit. Although the time for changing stylus varies with conditions, it is advisable to change it approximately every 500-1000 hours.

Model	Stylus	Color
M410E	N410E	Orange
M412STR	N412STR	Red
M415STR	N415STR	Blue
M420STR	N420STR	Gray



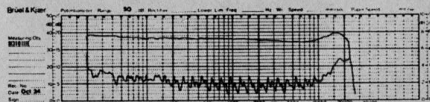
(FIG. 5)

Specifications

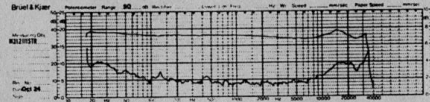
	M410E	M412STR	M415STR	M420STR
Color of body	Gray	Gray	Gray	Gray
Stylus Case	Orange	Red	Blue	Black
Frequency Response	20 – 25 KHz	20 – 35 KHz	20 – 40 KHz	20 – 45 KHz
Channel Separation	28dB at 1KHz 25dB at 10KHz	30dB at 1KHz 27dB at 10KHz	32dB at 1KHz 28dB at 10KHz	33dB at 1KHz 29dB at 10KHz
Output Voltage (min)	3.5mV at 1KHz (5cm/sec)	3.5mV at 1KHz (5cm/sec)	3.5mV at 1KHz (5cm/sec)	3.2mV at 1KHz (5cm/sec)
Channel Balance	within 1dB at 1KHz	within 1dB at 1KHz	within 1dB at 1KHz	within 1dB at 1KHz
DC Resistance	710 ohm	710 ohm	710 ohm	710 ohm
Load Resistance	47 Kohm	47 Kohm	47 Kohm	47 Kohm
Stylus	Bi-Radial	STR	Perfect STR	Perfect STR
Compliance	15×10^{-6} cm/dyne	24×10^{-6} cm/dyne	36×10^{-6} cm/dyne	42×10^{-6} cm/dyne
Tracking Force	1.5 – 2.3 g	1.3 – 2.1 g	1.0 – 2.0 g	1.0 – 2.0 g
Weight	4.0g	4.0g	4.0g	4.0g
Overall Dimensions	29 x 18 x 16 mm	29 x 18 x 16 mm	29 x 18 x 16 mm	29 x 18 x 16 mm
Mounting	12.7 mm (1/2")	12.7 mm (1/2")	12.7 mm (1/2")	12.7 mm (1/2")

Frequency Response

M410E



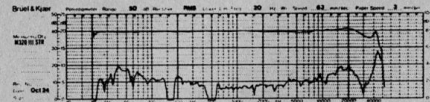
M412STR



M415STR



M420STR



10

ACUTEX LIMITED WARRANTY

This ACUTEX product is warranted under normal use, to the original purchaser only, against defects in materials or workmanship, for one year from date of purchase, providing the following conditions are met. Warranty service will be performed free of charge except for transportation to or from the service center.

1. Original purchase receipt must accompany all requests for service.
2. Service must be performed by ACUTEX USA International or the original selling dealer. This product may be either replaced or repaired during the warranty period, at the sole option of ACUTEX USA International, or the original selling dealer.
3. Warranty is void if the product has been damaged by accidents acts of God, mishandling, failure to follow instructions, or improper safekeeping.
4. The warranty, expressly provided for herein is the sole warranty provided in connection with the product, and no other warranty, expressed or implied, is provided. This warranty gives the consumer specific legal rights, and the consumer may have other rights that vary from place to place.

11

ACUTEX USA International

10890 Lee Highway
Fairfax, Va. 22030

Phone : (703) 273-7500
Telex : 710 833 0363

ACUTEX

Printed in Japan